

**BSV Series**  
Solenoid Valves

- ✓ Pilot operated
- ✓ Mountable in any position
- ✓ 2 Port reliable design with high flows
- ✓ 3/8", 1/2", 3/4" and 1" available
- ✓ DIN connector standard

**BSV SERIES SOLENOID VALVES**

are compact, reliable, high flow, two-way pilot operated solenoid valves for air, gas, water and other liquid applications. They offer a solid brass body with a normally closed design and can be mounted in any position. The solenoid enclosure provides protection against dust, dirt and other elements, while also protecting against seepage of oil and noncorrosive coolants. BSV Series valves come assembled with an NBR seal, and have a maximum temperature rating of 176 °F (80 °C).

**BSV SERIES SOLENOID VALVES**

are available in 3/8", 1/2", 3/4" and 1" FNPT connections. All BSV series valves come with DIN connectors included as a standard feature, making them convenient and easy to install.

**SOLENOID VALVES SPECIFICATIONS**

Part Number	Description	Qty
BSV-38110V	Solenoid Valve, 110V 50/60 Hz, 3/8" FNPT, Normally Closed, Brass	1
BSV-12110V	Solenoid Valve, 110V 50/60 Hz, 1/2" FNPT, Normally Closed, Brass	1
BSV-34110V	Solenoid Valve, 110V 50/60 Hz, 3/4" FNPT, Normally Closed, Brass	1
BSV-10110V	Solenoid Valve, 110V 50/60 Hz, 1" FNPT, Normally Closed, Brass	1
BSV-38220V	Solenoid Valve, 220V 50/60 Hz, 3/8" FNPT, Normally Closed, Brass	1
BSV-12220V	Solenoid Valve, 220V 50/60 Hz, 1/2" FNPT, Normally Closed, Brass	1
BSV-34220V	Solenoid Valve, 220V 50/60 Hz, 3/4" FNPT, Normally Closed, Brass	1
BSV-10220V	Solenoid Valve, 220V 50/60 Hz, 1" FNPT, Normally Closed, Brass	1

# BSV SERIES

Solenoid Valves  
Data Sheet

## Standard Features

- DIN Connector included
- 110V 50/60 Hz, 220V 50/60 Hz
- Mountable in any position
- Normally closed

## Product Applications

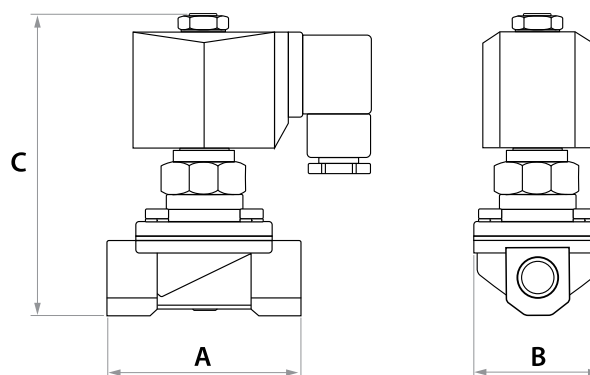
- Water & Wastewater
- Reverse Osmosis Systems
- Medical
- Air & Gas

## Specifications

Temperature Rating: 41 °F - 176 °F (5 °C to 80 °C)  
Working Pressure: 0 -145 psi (0 - 10 bar)

## Materials of Construction

Body: Brass  
Seals: NBR  
Spring: Stainless Steel  
Gasket: NBR



## Solenoid Valve Dimensions

Part #	A	B	C	D
	Length (mm)	Width (mm)	Height (mm)	Thread
<b>BSV-38110V</b>	2.55" (65)	1.85" (47)	3.66" (93)	3/8"
<b>BSV-12110V</b>	2.55" (65)	1.85" (47)	3.66" (93)	1/2"
<b>BSV-34110V</b>	2.83" (72)	2.12" (54)	3.93" (100)	3/4"
<b>BSV-10110V</b>	3.54" (90)	2.75" (70)	4.25" (108)	1"

## Solenoid Valve Dimensions

Part #	A	B	C	D
	Length (mm)	Width (mm)	Height (mm)	Thread
<b>BSV-38220V</b>	2.55" (65)	1.85" (47)	3.66" (93)	3/8"
<b>BSV-12220V</b>	2.55" (65)	1.85" (47)	3.66" (93)	1/2"
<b>BSV-34220V</b>	2.83" (72)	2.12" (54)	3.93" (100)	3/4"
<b>BSV-10220V</b>	3.54" (90)	2.75" (70)	4.25" (108)	1"

Distributed by:



3001 S.W. 15th Street, Suite C, Deerfield Beach, FL 33442

sales@h2ofilter.com • www.h2ofilter.com

**Toll-Free Number:** 1-800-570-3464

**International:** 1-954-570-3464

## SSV Series Solenoid Valves

- ✓ 3/8", 1/2", 3/4" and 1" Available
- ✓ 2 Port reliable design with high flows
- ✓ Mountable in any position
- ✓ DIN connector standard
- ✓ Pilot operated



### SSV SERIES SOLENOID VALVES

are compact, reliable, high flow, two-way pilot operated solenoid valves for air, gas, water and other liquid applications. They offer a solid stainless steel body with a normally closed design and can be mounted in any position. The solenoid enclosure provides protection against dust, dirt and other elements, while also protecting against seepage of oil and noncorrosive coolants. SSV Series valves come assembled with an NBR seal, and have a maximum temperature rating of 176 °F (80 °C).

### SSV SERIES SOLENOID VALVES

are available in 3/8", 1/2", 3/4" and 1" FNPT connections. All SSV series valves come with DIN connectors included as a standard feature, making them convenient and easy to install.

SOLENOID VALVES SPECIFICATIONS		
Part Number	Description	Qty
SSV-38110V	Solenoid Valve, 110V 50/60 HZ, 3/8" FNPT, Normally Closed, Stainless Steel	1
SSV-12110V	Solenoid Valve, 110V 50/60 HZ, 1/2" FNPT, Normally Closed, Stainless Steel	1
SSV-34110V	Solenoid Valve, 110V 50/60 HZ, 3/4" FNPT, Normally Closed, Stainless Steel	1
SSV-10110V	Solenoid Valve, 110V 50/60 HZ, 1" FNPT, Normally Closed, Stainless Steel	1
SSV-38220V	Solenoid Valve, 220V 50/60 HZ, 3/8" FNPT, Normally Closed, Stainless Steel	1
SSV-12220V	Solenoid Valve, 220V 50/60 HZ, 1/2" FNPT, Normally Closed, Stainless Steel	1
SSV-34220V	Solenoid Valve, 220V 50/60 HZ, 3/4" FNPT, Normally Closed, Stainless Steel	1
SSV-10220V	Solenoid Valve, 220V 50/60 HZ, 1" FNPT, Normally Closed, Stainless Steel	1

## Standard Features

- DIN Connector included
- 110V 50/60HZ, 220V 50/60HZ
- Mountable in any position
- Normally closed

## Product Applications

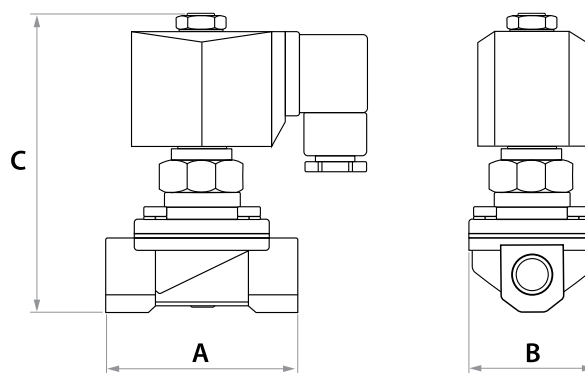
- Water & Wastewater
- Reverse Osmosis Systems
- Medical
- Air & Gas

## Specifications

Temperature Rating: 41 °F - 176 °F (5 °C to 80 °C)  
Working Pressure: 0 -145 psi (0 - 10 bar)

## Materials of Construction

Body: 304 Stainless Steel  
Seals: NBR  
Spring: Stainless Steel  
Gasket: NBR



## Solenoid Valve Dimensions

Part #	A	B	C	D
	Length (mm)	Width (mm)	Height (mm)	Thread
<b>SSV-38110V</b>	2.55" (65)	1.85" (47)	3.66" (93)	3/8"
<b>SSV-12110V</b>	2.55" (65)	1.85" (47)	3.66" (93)	1/2"
<b>SSV-34110V</b>	2.83" (72)	2.12" (54)	3.93" (100)	3/4"
<b>SSV-10110V</b>	3.54" (90)	2.75" (70)	4.25" (108)	1"

## Solenoid Valve Dimensions

Part #	A	B	C	D
	Length (mm)	Width (mm)	Height (mm)	Thread
<b>SSV-38220V</b>	2.55" (65)	1.85" (47)	3.66" (93)	3/8"
<b>SSV-12220V</b>	2.55" (65)	1.85" (47)	3.66" (93)	1/2"
<b>SSV-34220V</b>	2.83" (72)	2.12" (54)	3.93" (100)	3/4"
<b>SSV-10220V</b>	3.54" (90)	2.75" (70)	4.25" (108)	1"

Distributed by:



3001 S.W. 15th Street, Suite C, Deerfield Beach, FL 33442  
sales@h2ofilter.com • www.h2ofilter.com  
**Toll-Free Number:** 1-800-570-3464  
**International:** 1-954-570-3464

**Features**

- Soft seat design for bubble tight seal
- 6,000 PSI pressure rating (at 200°F max)
- Replaceable Delrin seat
- Straight through porting for bi-directional, high-capacity flow and easy rod cleaning
- All 316 SS stem for longer life
- One piece bonnet with metal to metal seal to the valve body below the bonnet threads
- Polished finish

**Materials of Construction**

Valve Body: 316 Stainless Steel  
 Bonnet: 316 Stainless Steel  
 Valve Stem: 316 Stainless Steel  
 Stem Seals: Viton O-Ring  
 Handle: AUL T6061  
 Handle Set Screw: 18-8 Stainless Steel  
 Panel Mount Lock: 18-8 Stainless Steel



**NV Series**  
*Needle Valves*

**NV SERIES SPECIFICATIONS**

	Part Number	Description	Case Quantity	Weight (lbs)	Weight (kgs)
<b>Panel Mount</b>	NV-12SS316	Needle Valve 1/2" FNPT 316 Stainless Steel Panel Mount	1	2	0.91
	NV-34SS316	Needle Valve 3/4" FNPT 316 Stainless Steel Panel Mount	1	2	0.91
	NV-10SS316	Needle Valve 1" FNPT 316 Stainless Steel Panel Mount	1	2	0.91

**Distributed by:**



3001 S.W. 15th Street, Suite C, Deerfield Beach, FL 33442  
 sales@h2ofilter.com • www.h2ofilter.com  
**Toll-Free Number:** 1-800-570-3464  
**International:** 1-954-570-3464